

Famochem rotary gear pumps designed for foam extinguishing system. They are SelfPriming and can pump Multiple Viscosities of Foam or Water. This versatile design is suitable for Electric, PTO, Diesel/ Gasoline Engine, Water Driven or Hydraulic drive motors.

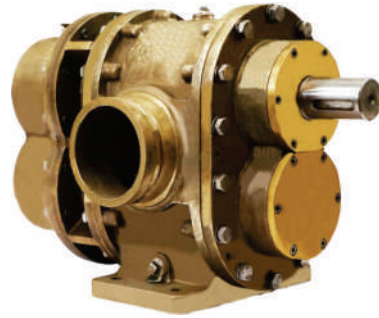
Design Features:

- Timing Gears Synchronize the Two Pumping Rotors.
- Timing Gears Allow for DRY Running Without Damage.
- No Rotor Contact Allows for Pumping Foam or Water.
- Water Can Be Used for: Calibration, Testing and Training.

Technical Data:

Max Pressure: 2.0MPa | 20bar
 Max Speed: 1800RPM
 Viscosity : 9500cp max.[1]
 Connection Diameter: DN100(114.3 O.D.)、 4"
 Connection Type: Groove、 Thread、 Flange

[1]Brookfield viscometer, spindle #4, speed 30rpm.



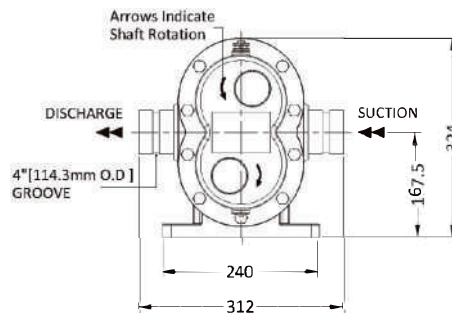
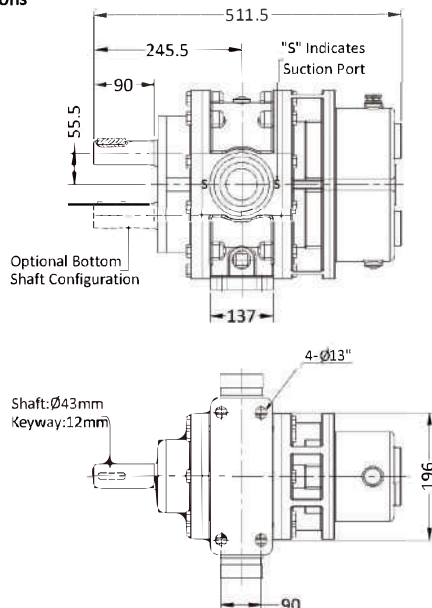
Materials :

Pump body: Red Brass, ASTM B584 C83600
 Rotor: Stainless Steel 17-4PH
 Red Brass, ASTM B584 C83600
 Liners: Red Brass, ASTM B584 C83600
 Front Cover: Red Brass, ASTM B584 C83600
 Back Cover: Red Brass ASTM B584 C83600
 Timing Gear: Alloy Steel 20CrMnTi (ASTM A29M)
 Lip Seal : FPM

Performance -Water


Foam Pump		1000rpm			1200rpm			1500rpm			1800rpm		
Pressure	Flow	Power	Torque	Flow	Power	Torque	Flow	Power	Torque	Flow	Power	Torque	
bar	L/min	kw	N.m	L/min	kw	N.m	L/min	kw	N.m	L/min	kw	N.m	
5.0	572	9	82	707	12	92	912	16	102	1088	22	116	
6.9	552	11	105	686	14	113	892	19	123	1068	26	136	
10.3	520	15	143	655	19	149	864	25	162	1040	33	173	
13.8	496	19	181	632	23	186	843	32	202	1019	40	211	
17.2	478	23	218	616	28	225	827	38	242	1004	47	250	
20.0	469	26	248	608	32	258	818	43	274	997	53	283	

Dimensions



Suction & Discharge:
 a. 4" (114.3mm O.D) Groove (Standard)
 b. Thred G 4" Male (Option)
 c. Flange DIN2633 DN100 PN16 (Option)

OPTIONAL :



SPLINE SHAFT:
 SAE PE-5 1 3/4"
 DIN5482 45x2x21x7H
 GB/T1144 8x36x42x7
 JIS B1603 42x19x2

Assembly Weight: 106 Kg

