

Famochem rotary gear pumps designed for foam extinguishing system. -They are SelfPriming and can pump Multiple Viscosities of Foam or Water. This versatile design is suitable for Electric, PTO, Diesel/Gasoline Engine, Water Driven or Hydraulic drive motors.

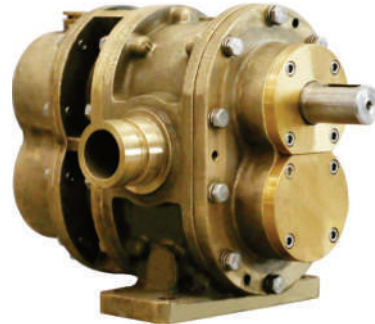
**Design Features:**

- Timing Gears Synchronize the Two Pumping Rotors.
- Timing Gears Allow for DRY Running Without Damage.
- No Rotor Contact Allows for Pumping Foam or Water.
- Water Can Be Used for: Calibration, Testing and Training.

**Technical Data:**

Max Pressure: 2.0MPa | 20bar  
 Max Speed: 1800RPM  
 Viscosity : 9500cp max.[1]  
 Connection Diameter: DN40(48.3 O.D.)、1½”  
 Connection Type: Groove、Thread、Flange

[1]Brookfield viscometer, spindle #4, speed 30rpm.



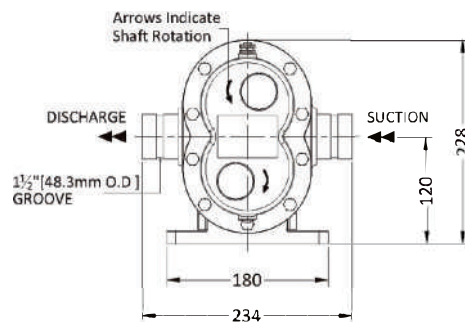
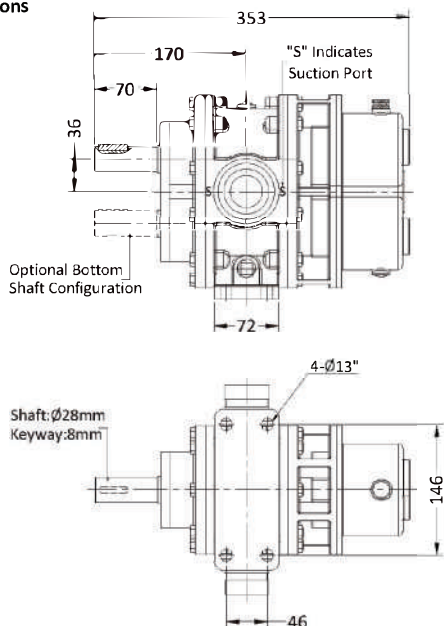
**Materials :**

Pump body: Red Brass, ASTM B584 C83600  
 Rotor: Stainless Steel 17-4PH  
 Red Brass, ASTM B584 C83600  
 Liners: Red Brass, ASTM B584 C83600  
 Front Cover: Red Brass, ASTM B584 C83600  
 Back Cover: Red Brass ASTM B584 C83600  
 Timing Gear: Alloy Steel 20CrMnTi (ASTM A29M)  
 Lip Seal : FPM

**Performance -Water**

Foam Pump	1000rpm			1200rpm			1500rpm			1800rpm			
	Pressure bar	Flow L/min	Power kw	Torque N.m	Flow L/min	Power kw	Torque N.m	Flow L/min	Power kw	Torque N.m	Flow L/min	Power kw	Torque N.m
	5.0	153	2	22	192	3	23	251	4	24	310	5	26
	6.9	147	3	28	185	4	29	244	5	30	303	6	32
	10.3	137	4	38	176	5	39	234	6	40	293	8	44
	13.8	130	5	49	168	6	50	226	8	51	286	11	56
	17.2	125	6	61	163	8	61	221	10	63	280	13	66
	20.0	122	7	70	160	9	71	217	11	73	277	14	73

**Dimensions**



Suction & Discharge:  
 a. 1½”(48.3mm O.D) Groove (Standard)  
 b. Thred G 1½” Male (Option)  
 c. Flange DIN2633 DN40 PN16 (Option)

**OPTIONAL :**



SPLINE SHAFT:  
 SAE PJ 1½”  
 DIN5482 30×2×14×7H  
 GB/T1144 6×23×28×6  
 JIS B1603 28×12×2

Assembly Weight: 34.5 Kg

